

Short instructions for the indirect immunofluorescence test

FA 112d-####-1

IIFT: Autoimmune Encephalitis Mosaic 1

ORDER NO.	ANTIBODIES AGAINST	SUBSTRATE	SPECIES	FORMAT SLIDES x FIELDS
FA 112d-1005-1 FA 112d-1010-1	glutamate receptor (type NMDA) glutamate receptor (type AMPA1) glutamate receptor (type AMPA2) contactin-associated protein 2 (CASPR2) leucine-rich glioma-inactivated protein 1 (LGI1) GABA _B receptor (GABARB1/B2)	transfected cells	EU 90	10 x 05 (050) 10 x 10 (100)

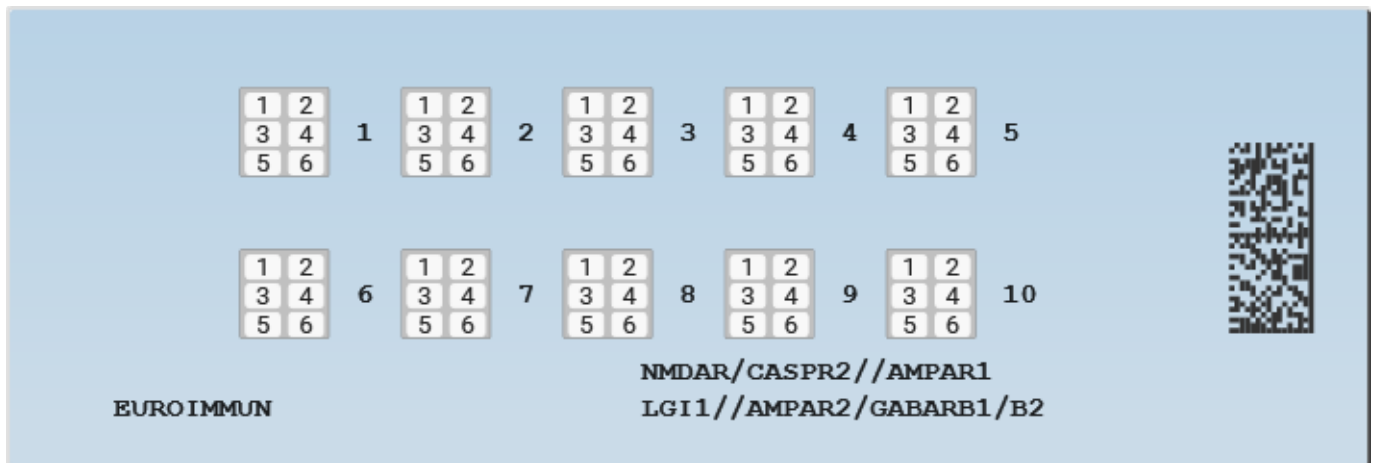


Fig.: Schematic illustration of a slide to demonstrate the arrangement of the BIOCHIPs

Recommended sample dilution

BIOCHIPs	Substrate	Recommended dilution
		IgG
1	NMDA-R	1:10
2	CASPR2	
3	AMPA1	
4	LGI1	
5	AMPA2	
6	GABARB1/B2	

Fluorescence pattern (positive reaction):

Autoantibodies against **glutamate receptors (type NMDA)** react specifically with the corresponding transfected cells. They induce a fine granular cytoplasmic fluorescence with typical cellular protrusions. The staining of the cell nuclei is sample-specific and mostly weak.



Autoantibodies against **glutamate receptors (type AMPA1 and AMPA2; GluR1/GluR2)**, **contactin-associated protein 2 (CASPR2)**, **leucine-rich glioma-inactivated protein 1 (LGI1)** and **GABA_B receptors (GABARB1/B2)** react specifically with the corresponding transfected cells. They induce a smooth to fine-speckled fluorescence of the cell with an accentuation of the cell membrane, while the area of the cell nucleus is only slightly stained.

Some cells are not transfected and show no specific fluorescence.

If the cell nuclei or the cytoplasm of all cells are stained, antinuclear antibodies or antibodies against mitochondria and other cell antigens are present.

For further information refer to the instructions for use FA_0002_A_UK_BXX.

For research use only